

PIPE FITTINGS

TABLE OF CONTENTS

Solutions for Life



04.~05. PHN Series
Hex Nipple



13. PRA Series
Reducing Adapter



06. PHLN Series
Hex Long Nipple



14. PRB Series
Reducing Bushing



07. PHRN Series
Hex Reducing Nipple



15. PME Series
Male Elbow



08. PFC Series
Coupling



15. PFE Series
Female Elbow



09. PRC Series
Reducing Coupling



16. PSE Series
Street Elbow



10.~12. PA Series
Adapter



16. PRE Series
Reducing Street Elbow

TABLE OF CONTENTS

Solutions for Life



17. PMT Series
Male Tee



20. PCP Series
Plug



17. PFT Series
Female Tee



20. PHP Series
Head Plug



18. PST Series
Street Tee



20. PHHP Series
Hex Head Plug



18. PBT Series
Branch Tee



21. PMHC Series
Male Hose Connector



19. PFX Series
Cross



22. PTHC Series
Tube Hose Connector



19. PFU Series
Union



22. PFHC Series
Female Hose Connector

COMPANY HISTORY



Company Overview

Genstar Technologies is a global leader in Gas Flow Control Systems for the industrial, specialty gas and medical sectors. We pride ourselves in our ability to provide our customers with high quality, value-added products and services that go beyond the industry standards. As a result, we have a global network of thousands of satisfied customers in over 60 countries.

Our Team

Our highly educated team of engineers, salespeople, technicians, managers, and customer service personnel are dedicated to providing you with products with the highest quality, reliability and performance. We hold the highest standards to our manufacturing processes; our total process management maximizes our production efficiency while ensuring product quality.

We work closely with all of our customers to design products specific to your needs. This includes developing new products, redesigning existing products, and customizing configuration / packaging. It is our priority to foster a strong relationship with each and every customer.

Quality Assurance

All of our products are manufactured under stringent quality control. We are ISO 9001:2001 and API certified.

Our products meet UL, CE, SEMI, and various international standards and certifications.

Manufacturing Capabilities

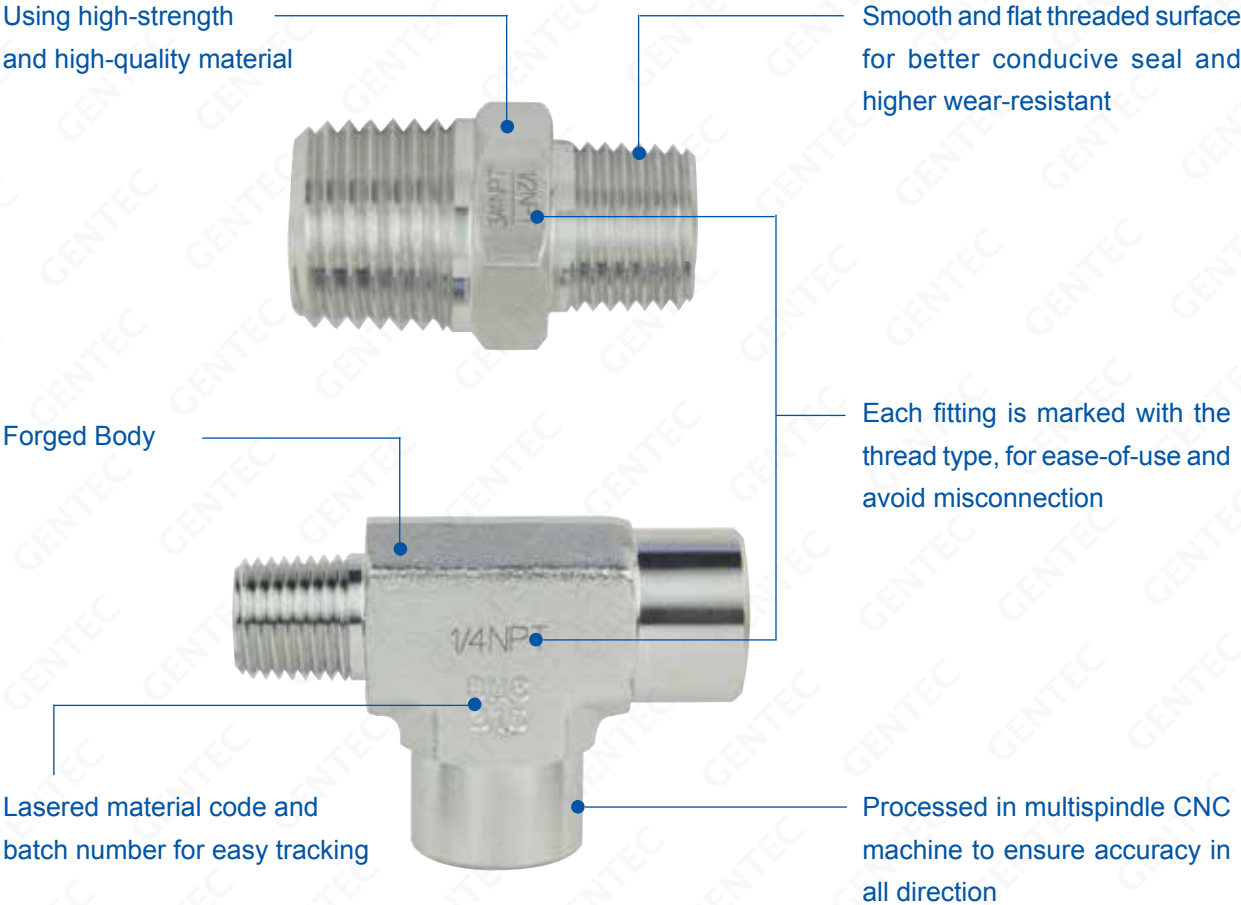
The manufacturing facility is equipped with CNC machines, electro-polishing equipment, and precision automated orbital welding systems, among other features, to ensure the production of the highest quality products.

Clean Room Facilities

Our class 10/100/1000 clean rooms are designed for Ultra High Purity (UHP) products. UHP products undergo precision machining, surface finishing, electro-polishing and passivation. All UHP products are cleaned by 18M Ω DI water in a cascade ultrasonic tank. To ensure the highest UHP product quality, they are then vacuum-dried and double-bagged.

Features

- Made of stainless steel 316L material
- Please refer to the product specification table for the pressure rating of the pipe fittings
- When using MPa unit, multiply the bar pressure value by 0.1
- When using kg/cm² unit, multiply the bar pressure value by 0.98
- Maximum operating temperature of pipe fittings* is 1000°F(537°C)
- Both end connections of the fittings are thoroughly cleaned
- For taper thread connection, please use anaerobic adhesive or PTFE tape



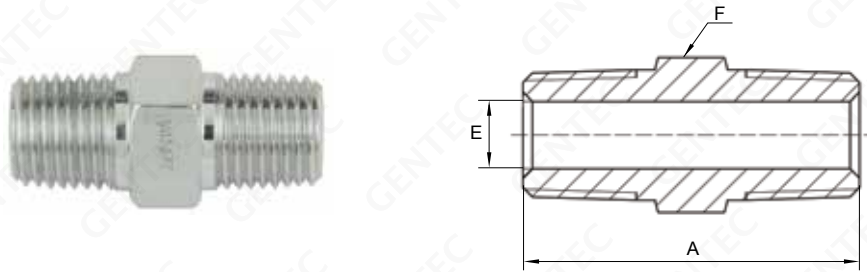
*: Actual operating temperature may be lower when in contact with piping, lubricants, or seals.

PIPE FITTINGS

PHN Series

Solutions for Life

PHN Series Hex Nipple

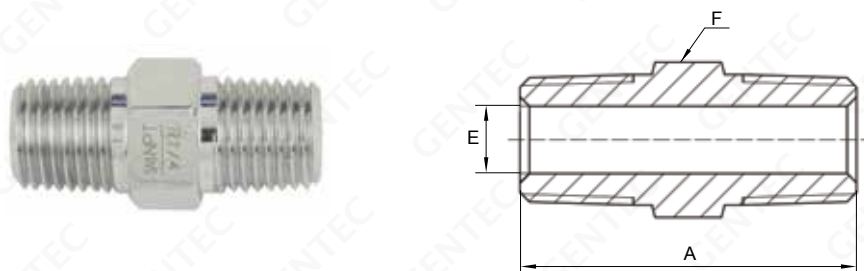


NPT Thread

NPT Pipe Size	Model Number	A in. (mm)	E in. (mm)	F in.	Preset Pressure psi (bar)
1/8" NPT	SS-PHN-NT2	1.10 (28.0)	0.19 (4.8)	7/16	10000 (689)
1/4" NPT	SS-PHN-NT4	1.40 (35.6)	0.28 (7.1)	9/16	8000 (551)
3/8" NPT	SS-PHN-NT6	1.43 (36.3)	0.38 (9.6)	11/16	7800 (537)
1/2" NPT	SS-PHN-NT8	1.84 (46.7)	0.47 (11.9)	7/8	7700 (530)
3/4" NPT	SS-PHN-NT12	1.84 (46.7)	0.62 (15.7)	1 1/16	7300 (502)
1" NPT	SS-PHN-NT16	2.32 (58.9)	0.88 (22.4)	1 3/8	5300 (365)

ISO Tapered Thread (R)

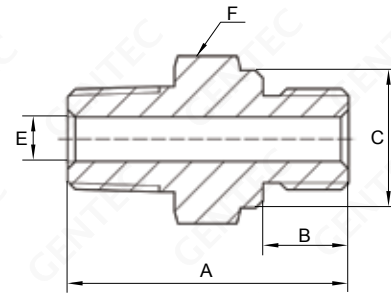
ISO Pipe Size	Model Number	A in. (mm)	E in. (mm)	F in.	Preset Pressure psi (bar)
R 1/8"	SS-PHN-RT2	1.10 (28.0)	0.19 (4.8)	7/16	10000 (689)
R 1/4"	SS-PHN-RT4	1.40 (35.6)	0.28 (7.1)	9/16	8000 (551)
R 3/8"	SS-PHN-RT6	1.43 (36.3)	0.38 (9.6)	11/16	7800 (537)
R 1/2"	SS-PHN-RT8	1.84 (46.7)	0.47 (11.9)	7/8	7700 (530)



NPT to ISO Tapered Thread (R)

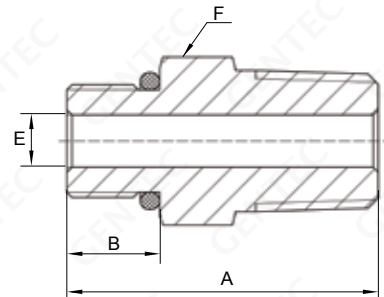
NPT Pipe Size	ISO Pipe Size	Model Number	A in. (mm)	E in. (mm)	F in.	Preset Pressure psi (bar)
1/8" NPT	R 1/8"	SS-PHN-NT2-RT2	1.10 (28.0)	0.19 (4.8)	7/16	10000 (689)
1/4" NPT	R 1/4"	SS-PHN-NT4-RT4	1.40 (35.6)	0.28 (7.1)	9/16	8000 (551)
3/8" NPT	R 3/8"	SS-PHN-NT6-RT6	1.43 (36.3)	0.38 (9.6)	11/16	7800 (537)
1/2" NPT	R 1/2"	SS-PHN-NT8-RT8	1.84 (46.7)	0.47 (11.9)	7/8	7700 (530)
3/4" NPT	R 3/4"	SS-PHN-NT12-RT12	1.84 (46.7)	0.62 (15.7)	1 1/16	7300 (502)
1" NPT	R 1"	SS-PHN-NT16-RT16	2.32 (58.9)	0.88 (22.4)	1 3/8	5300 (365)

PHN Series Hex Nipple



NPT to ISO Parallel Thread (G)

NPT Pipe Size	ISO Pipe Size	Model Number	A in. (mm)	B in. (mm)	C in. (mm)	E in. (mm)	F in.	Preset Pressure psi (bar)
1/8" NPT	G 1/8"	SS-PHN-NT2-GS2	1.09 (27.7)	0.28 (7.1)	0.54 (13.7)	0.16 (4.1)	9/16	11400 (785)
1/4" NPT	G 1/4"	SS-PHN-NT4-GS4	1.45 (36.8)	0.44 (11.2)	0.71 (18.0)	0.23 (5.8)	3/4	10300 (709)
3/8" NPT	G 3/8"	SS-PHN-NT6-GS6	1.48 (37.6)	0.44 (11.2)	0.85 (21.6)	0.31 (7.9)	7/8	10300 (709)
1/2" NPT	G 1/2"	SS-PHN-NT8-GS8	1.75 (44.4)	0.56 (14.2)	1.02 (25.9)	0.47 (11.9)	1 1/16	7600 (523)
3/4" NPT	G 3/4"	SS-PHN-NT12-GS12	1.93 (49.0)	0.62 (15.7)	1.26 (32.0)	0.62 (15.7)	1 5/16	7300 (502)
1" NPT	G 1"	SS-PHN-NT16-GS16	2.23 (56.6)	0.72 (18.3)	1.53 (38.9)	0.78 (19.8)	1 5/8	7400 (509)



SAE to FNPT Thread

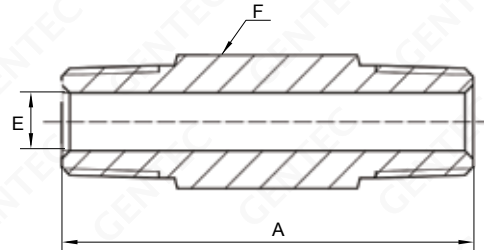
SAE Pipe Size	FNPT Pipe Size	Model Number	A in. (mm)	B in. (mm)	E in. (mm)	F in.	O-ring	Preset Pressure psi (bar)
1/4" SAE (7/16-20)	1/4" NPT(F)	SS-PHN-SAE4-NT4	1.20 (30.5)	0.36 (9.1)	0.20 (5.1)	9/16	9 × 1.8	4500 (310)
3/8" SAE (9/16-18)	3/8" NPT(F)	SS-PHN-SAE6-NT6	1.26 (32.0)	0.35 (9.1)	0.28 (7.1)	11/16	12 × 2	4500 (310)
1/2" SAE (3/4-16)	1/2" NPT(F)	SS-PHN-SAE8-NT8	1.53 (38.9)	0.44 (11.2)	0.42 (10.7)	7/8	16.4 × 2.2	4500 (310)
3/4" SAE (1 1/16-12)	3/4" NPT(F)	SS-PHN-SAE12-NT12	1.75 (44.4)	0.59 (15.0)	0.62 (15.7)	1 1/4	23.5 × 3	3600 (248)
1" SAE (1 5/16-12)	1" NPT(F)	SS-PHN-SAE16-NT16	2.00 (50.8)	0.59 (15.0)	0.88 (22.4)	1 1/2	30 × 3	2900 (199)

PIPE FITTINGS

PHLN Series

Solutions for Life

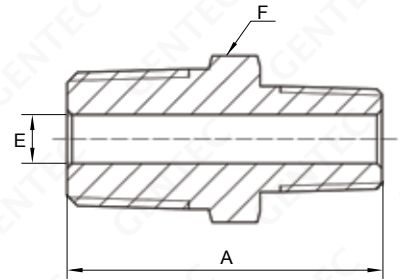
PHLN Series Hex Long Nipple



NPT Thread

NPT Pipe Size	Model Number	A in. (mm)	E in. (mm)	F in.	Preset Pressure psi (bar)
1/8" NPT	SS-PHLN-NT2-1.5	1.5 (38.0)	0.19 (4.8)	7/16	10000 (689)
1/8" NPT	SS-PHLN-NT2-2	2.0 (50.8)	0.19 (4.8)	7/16	10000 (689)
1/8" NPT	SS-PHLN-NT2-2.5	2.5 (63.5)	0.19 (4.8)	7/16	10000 (689)
1/8" NPT	SS-PHLN-NT2-3	3.0 (76.2)	0.19 (4.8)	7/16	10000 (689)
1/4" NPT	SS-PHLN-NT4-1.5	1.5 (38.1)	0.28 (7.1)	9/16	8000 (551)
1/4" NPT	SS-PHLN-NT4-2	2.0 (50.8)	0.28 (7.1)	9/16	8000 (551)
1/4" NPT	SS-PHLN-NT4-2.5	2.5 (63.5)	0.28 (7.1)	9/16	8000 (551)
1/4" NPT	SS-PHLN-NT4-3	3.0 (76.2)	0.28 (7.1)	9/16	8000 (551)
1/4" NPT	SS-PHLN-NT4-4	4.0 (101.6)	0.28 (7.1)	9/16	8000 (551)
3/8" NPT	SS-PHLN-NT6-1.5	1.5 (38.1)	0.38 (9.6)	11/16	7800 (537)
3/8" NPT	SS-PHLN-NT6-2	2.0 (50.8)	0.38 (9.6)	11/16	7800 (537)
3/8" NPT	SS-PHLN-NT6-2.5	2.5 (63.5)	0.38 (9.6)	11/16	7800 (537)
3/8" NPT	SS-PHLN-NT6-3	3.0 (76.2)	0.38 (9.6)	11/16	7800 (537)
3/8" NPT	SS-PHLN-NT6-4	4.0 (101.6)	0.38 (9.6)	11/16	7800 (537)
1/2" NPT	SS-PHLN-NT8-2	2.0 (50.8)	0.47 (11.9)	7/8	7700 (530)
1/2" NPT	SS-PHLN-NT8-3	3.0 (76.2)	0.47 (11.9)	7/8	7700 (530)
1/2" NPT	SS-PHLN-NT8-4	4.0 (101.6)	0.47 (11.9)	7/8	7700 (530)
3/4" NPT	SS-PHLN-NT12-2	2.0 (50.8)	0.62 (15.7)	1 1/16	7300 (502)
3/4" NPT	SS-PHLN-NT12-3	3.0 (76.2)	0.62 (15.7)	1 1/16	7300 (502)
3/4" NPT	SS-PHLN-NT12-4	4.0 (101.6)	0.62 (15.7)	1 1/16	7300 (502)
1" NPT	SS-PHLN-NT16-3	3.0 (76.2)	0.88 (22.4)	1 3/8	5300 (365)
1" NPT	SS-PHLN-NT16-4	4.0 (101.6)	0.88 (22.4)	1 3/8	5300 (365)

PHRN Series Hex Reducing Nipple



NPT Thread

NPT Pipe Size	NPT Pipe Size	Model Number	A in. (mm)	E in. (mm)	F in.	Preset Pressure psi (bar)
1/4" NPT	1/8" NPT	SS-PHRN-NT4-NT2	1.22 (31.0)	0.19 (4.8)	9/16	10000 (689)
3/8" NPT	1/8" NPT	SS-PHRN-NT6-NT2	1.25 (31.8)	0.19 (4.8)	11/16	10000 (689)
3/8" NPT	1/4" NPT	SS-PHRN-NT6-NT4	1.43 (36.3)	0.28 (7.1)	11/16	8000 (551)
1/2" NPT	1/8" NPT	SS-PHRN-NT8-NT2	1.47 (37.3)	0.19 (4.8)	7/8	7700 (530)
1/2" NPT	1/4" NPT	SS-PHRN-NT8-NT4	1.65 (41.9)	0.28 (7.1)	7/8	8000 (551)
1/2" NPT	3/8" NPT	SS-PHRN-NT8-NT6	1.65 (41.9)	0.38 (9.6)	7/8	7800 (537)
3/4" NPT	1/4" NPT	SS-PHRN-NT12-NT4	1.65 (41.9)	0.28 (7.1)	1 1/16	8000 (551)
3/4" NPT	3/8" NPT	SS-PHRN-NT12-NT6	1.65 (41.9)	0.38 (9.6)	1 1/16	7800 (537)
3/4" NPT	1/2" NPT	SS-PHRN-NT12-NT8	1.84 (46.7)	0.47 (11.9)	1 1/16	7700 (530)
1" NPT	1/4" NPT	SS-PHRN-NT16-NT4	1.94 (49.3)	0.28 (7.1)	1 3/8	5300 (365)
1" NPT	3/8" NPT	SS-PHRN-NT16-NT6	1.85 (47.0)	0.38 (9.6)	1 3/8	7700 (530)
1" NPT	1/2" NPT	SS-PHRN-NT16-NT8	2.13 (54.1)	0.47 (11.9)	1 3/8	7700 (530)
1" NPT	3/4" NPT	SS-PHRN-NT16-NT12	2.13 (54.1)	0.62 (15.7)	1 3/8	7300 (502)

ISO Tapered Thread (R)

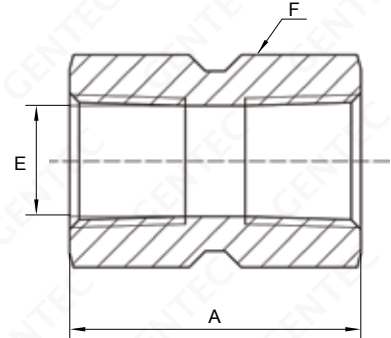
ISO Pipe Size	ISO Pipe Size	Model Number	A in. (mm)	E in. (mm)	F in.	Preset Pressure psi (bar)
R 3/8"	R 1/4"	SS-PHRN-RT6-RT4	1.43 (36.3)	0.28 (7.1)	11/16	7800 (537)
R 1/2"	R 1/8"	SS-PHRN-RT8-RT2	1.47 (37.3)	0.19 (4.8)	7/8	7700 (530)
R 1/2"	R 3/8"	SS-PHRN-RT8-RT6	1.65 (41.9)	0.38 (9.6)	7/8	7800 (537)

PIPE FITTINGS

PFC Series

Solutions for Life

PFC Series Coupling



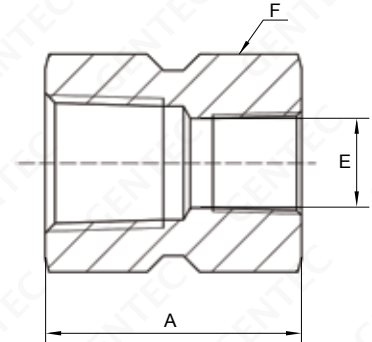
FNPT Thread

FNPT Pipe Size	Model Number	A in. (mm)	E in. (mm)	F in.	Preset Pressure psi (bar)
1/8" NPT(F)	SS-PFC-FNT2	0.81 (20.6)	0.34 (8.6)	9/16	6500 (447)
1/4" NPT(F)	SS-PFC-FNT4	1.19 (30.2)	0.45 (11.4)	3/4	6600 (454)
3/8" NPT(F)	SS-PFC-FNT6	1.31 (33.3)	0.59 (15.0)	7/8	5300 (365)
1/2" NPT(F)	SS-PFC-FNT8	1.56 (39.6)	0.73 (18.5)	1 1/16	4900 (337)
3/4" NPT(F)	SS-PFC-FNT12	1.62 (41.1)	0.94 (23.9)	1 5/16	4600 (316)
1" NPT(F)	SS-PFC-FNT16	2.00 (50.8)	1.17 (29.7)	1 5/8	4400 (303)

ISO Tapered Thread (Rc)

ISO Pipe Size	Model Number	A in. (mm)	E in. (mm)	F in.	Preset Pressure psi (bar)
Rc 1/8"	SS-PFC-FRT2	0.81 (20.6)	0.33 (8.4)	9/16	6500 (447)
Rc 1/4"	SS-PFC-FRT4	1.19 (30.2)	0.44 (11.2)	3/4	6600 (454)
Rc 3/8"	SS-PFC-FRT6	1.31 (33.3)	0.58 (14.7)	7/8	5300 (365)
Rc 1/2"	SS-PFC-FRT8	1.56 (39.6)	0.72 (18.3)	1 1/16	4900 (337)

PRC Series Reducing Coupling



NPT Thread

NPT Pipe Size	FNPT Pipe Size	Model Number	A in. (mm)	E in. (mm)	F in.	Preset Pressure psi (bar)
1/4" NPT(F)	1/8" NPT(F)	SS-PRC-FNT4-FNT2	1.02 (26.0)	0.34 (8.6)	3/4	6600 (454)
3/8" NPT(F)	1/8" NPT(F)	SS-PRC-FNT6-FNT2	1.02 (26.0)	0.34 (8.6)	7/8	5300 (365)
3/8" NPT(F)	1/4" NPT(F)	SS-PRC-FNT6-FNT4	1.18 (30.0)	0.45 (11.4)	7/8	5300 (365)
1/2" NPT(F)	1/8" NPT(F)	SS-PRC-FNT8-FNT2	1.26 (32.0)	0.34 (8.6)	1 1/16	4900 (337)
1/2" NPT(F)	1/4" NPT(F)	SS-PRC-FNT8-FNT4	1.38 (35.0)	0.45 (11.4)	1 1/16	4900 (337)
1/2" NPT(F)	3/8" NPT(F)	SS-PRC-FNT8-FNT6	1.41 (36.0)	0.59 (15.0)	1 1/16	4900 (337)
3/4" NPT(F)	1/4" NPT(F)	SS-PRC-FNT12-FNT4	1.41 (36.0)	0.45 (11.4)	1 5/16	4600 (316)
3/4" NPT(F)	3/8" NPT(F)	SS-PRC-FNT12-FNT6	1.41 (36.0)	0.59 (15.0)	1 5/16	4600 (316)
3/4" NPT(F)	1/2" NPT(F)	SS-PRC-FNT12-FNT8	1.57 (40.0)	0.73 (18.5)	1 5/16	4600 (316)
1" NPT(F)	1/4" NPT(F)	SS-PRC-FNT16-FNT4	1.65 (42.0)	0.45 (11.4)	1 5/8	4400 (303)
1" NPT(F)	3/8" NPT(F)	SS-PRC-FNT16-FNT6	1.65 (42.0)	0.59 (15.0)	1 5/8	4400 (303)
1" NPT(F)	1/2" NPT(F)	SS-PRC-FNT16-FNT8	1.81 (46.0)	0.73 (18.5)	1 5/8	4400 (303)
1" NPT(F)	3/4" NPT(F)	SS-PRC-FNT16-FNT12	1.81 (46.0)	0.94 (23.9)	1 5/8	4400 (303)

ISO Tapered Thread (Rc)

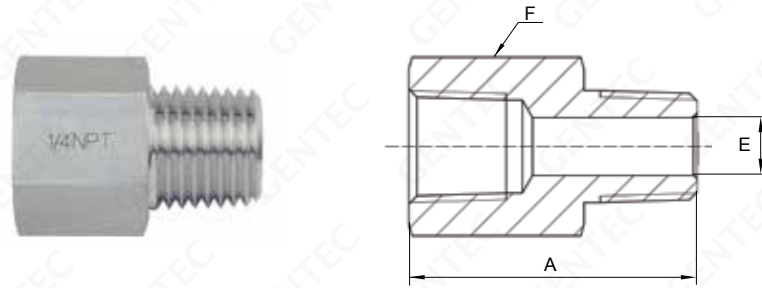
ISO Pipe Size	ISO Pipe Size	Model Number	A in. (mm)	E in. (mm)	F in.	Preset Pressure psi (bar)
Rc 3/8"	Rc 1/4"	SS-PRC-FRT6-FRT4	1.18 (30.0)	0.44 (11.2)	7/8	5300 (365)
Rc 1/2"	Rc 1/4"	SS-PRC-FRT8-FRT4	1.38 (35.0)	0.44 (11.2)	1 1/16	4900 (337)
Rc 1/2"	Rc 3/8"	SS-PRC-FRT8-FRT6	1.41 (36.0)	0.58 (14.7)	1 1/16	4900 (337)

PIPE FITTINGS

PA Series

Solutions for Life

PA Series Adapter

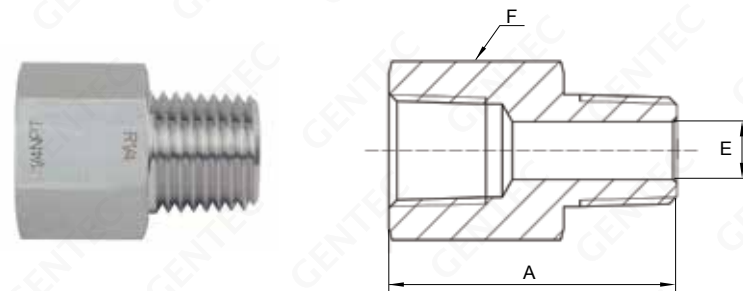


FNPT to NPT Thread

FNPT Pipe Size	NPT Pipe Size	Model Number	A in. (mm)	E in. (mm)	F in.	Preset Pressure psi (bar)
1/8" NPT(F)	1/8" NPT	SS-PA-FNT2-NT2	1.10 (27.9)	0.19 (4.8)	9/16	6500 (447)
1/4" NPT(F)	1/4" NPT	SS-PA-FNT4-NT4	1.40 (35.6)	0.28 (7.1)	3/4	6600 (454)
3/8" NPT(F)	3/8" NPT	SS-PA-FNT6-NT6	1.51 (38.4)	0.38 (9.6)	7/8	5300 (365)
1/2" NPT(F)	1/2" NPT	SS-PA-FNT8-NT8	1.94 (49.3)	0.47 (11.9)	1 1/16	4900 (337)
3/4" NPT(F)	3/4" NPT	SS-PA-FNT12-NT12	2.02 (51.3)	0.62 (15.7)	1 5/16	4600 (316)
1" NPT(F)	1" NPT	SS-PA-FNT16-NT16	2.28 (57.9)	0.88 (22.4)	1 5/8	4400 (303)

ISO Tapered Thread (Rc) to ISO Thread (R)

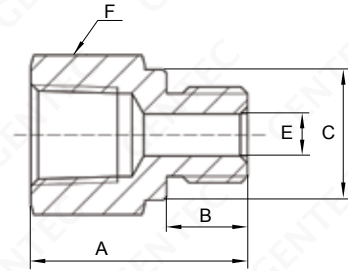
ISO Pipe Size	ISO Pipe Size	Model Number	A in. (mm)	E in. (mm)	F in.	Preset Pressure psi (bar)
Rc 1/8"	R 1/8"	SS-PA-FRT2-RT2	1.09 (27.7)	0.19 (4.8)	9/16	6500 (447)
Rc 1/4"	R 1/4"	SS-PA-FRT4-RT4	1.42 (36.1)	0.28 (7.1)	3/4	6600 (454)
Rc 3/8"	R 3/8"	SS-PA-FRT6-RT6	1.50 (38.1)	0.38 (9.6)	7/8	5300 (365)
Rc 1/2"	R 1/2"	SS-PA-FRT8-RT8	1.95 (49.5)	0.47 (11.9)	1 1/16	4900 (337)



FNPT to ISO Tapered Thread (R)

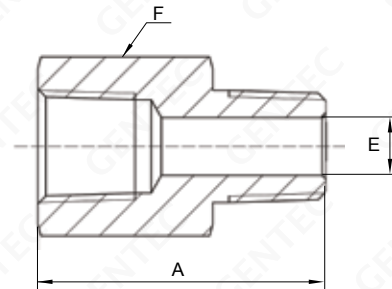
FNPT Pipe Size	ISO Pipe Size	Model Number	A in. (mm)	D in. (mm)	E in. (mm)	F in.	Preset Pressure psi (bar)
1/8" NPT(F)	R 1/8"	SS-PA-FNT2-RT2	0.98 (25.0)	0.47 (12.0)	0.19 (4.8)	9/16	6500 (447)
1/4" NPT(F)	R 1/4"	SS-PA-FNT4-RT4	1.26 (32.0)	0.55 (14.0)	0.28 (7.1)	3/4	6600 (454)
3/8" NPT(F)	R 3/8"	SS-PA-FNT6-RT6	1.26 (32.0)	0.55 (14.0)	0.38 (9.6)	7/8	5300 (365)
1/2" NPT(F)	R 1/2"	SS-PA-FNT8-RT8	1.77 (45.0)	0.75 (19.0)	0.47 (11.9)	1 1/16	4900 (337)
3/4" NPT(F)	R 3/4"	SS-PA-FNT12-RT12	1.77 (45.0)	0.75 (19.0)	0.62 (15.7)	1 5/16	4600 (316)
1" NPT(F)	R 1"	SS-PA-FNT16-RT16	2.16 (55.0)	0.98 (25.0)	0.88 (22.4)	1 5/8	4400 (303)

PA Series Adapter



FNPT to ISO Parallel Thread (G)

FNPT Pipe Size	ISO Pipe Size	Model Number	A in. (mm)	B in. (mm)	C in. (mm)	E in. (mm)	F in.	Preset Pressure psi (bar)
1/8" NPT(F)	G 1/8"	SS-PA-FNT2-GS2	0.86 (22.0)	0.28 (7.1)	0.54 (13.7)	0.16 (4.1)	9/16	6500 (447)
1/4" NPT(F)	G 1/4"	SS-PA-FNT4-GS4	1.18 (30.0)	0.44 (11.2)	0.71 (18.0)	0.23 (5.8)	3/4	6600 (454)
3/8" NPT(F)	G 3/8"	SS-PA-FNT6-GS6	1.26 (32.0)	0.44 (11.2)	0.85 (21.6)	0.31 (7.9)	7/8	5300 (365)
1/2" NPT(F)	G 1/2"	SS-PA-FNT8-GS8	1.57 (40.0)	0.56 (14.2)	1.02 (25.9)	0.47 (11.9)	1 1/16	4900 (337)
3/4" NPT(F)	G 3/4"	SS-PA-FNT12-GS12	1.57 (40.0)	0.62 (15.7)	1.26 (32.0)	0.62 (15.7)	1 5/16	4600 (316)
1" NPT(F)	G 1"	SS-PA-FNT16-GS16	1.97 (50.0)	0.72 (18.3)	1.53 (38.9)	0.72 (18.3)	1 5/8	4400 (303)



ISO Tapered Thread (Rc) to NPT Thread

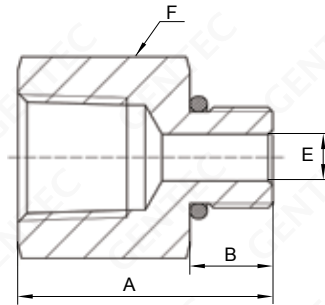
ISO Pipe Size	NPT Pipe Size	Model Number	A in. (mm)	D in. (mm)	E in. (mm)	F in.	Preset Pressure psi (bar)
Rc 1/8"	1/8" NPT	SS-PA-FRT2-NT2	0.98 (25.0)	0.47 (12.0)	0.19 (4.8)	9/16	6500 (447)
Rc 1/4"	1/4" NPT	SS-PA-FRT4-NT4	1.26 (32.0)	0.55 (14.0)	0.28 (7.1)	3/4	6600 (454)
Rc 3/8"	3/8" NPT	SS-PA-FRT6-NT6	1.26 (32.0)	0.55 (14.0)	0.38 (9.6)	7/8	5300 (365)
Rc 1/2"	1/2" NPT	SS-PA-FRT8-NT8	1.96 (49.8)	0.75 (19.0)	0.47 (11.9)	1 1/16	4900 (337)
Rc 3/4"	3/4" NPT	SS-PA-FRT12-NT12	1.77 (45.0)	0.75 (19.0)	0.62 (15.7)	1 5/16	4600 (316)
Rc 1"	1" NPT	SS-PA-FRT16-NT16	2.16 (55.0)	0.98 (25.0)	0.88 (22.4)	1 5/8	4600 (303)

PIPE FITTINGS

PA Series

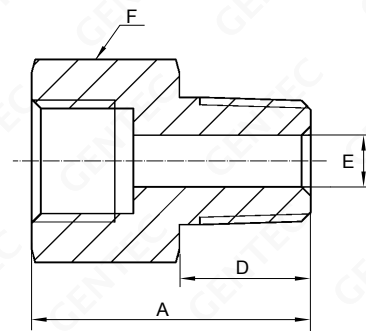
Solutions for Life

PA Series Adapter



SAE to FNPT Thread

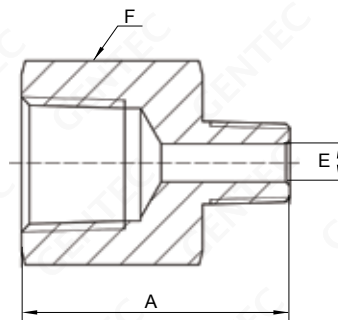
ISO Pipe Size	NPT Pipe Size	Model Number	A in. (mm)	B in. (mm)	E in. (mm)	F in.	O-ring	Preset Pressure psi (bar)
1/4" SAE (7/16-20)	1/4" NPT(F)	SS-PA-FNT4-SAE4	1.10 (28.0)	0.36 (9.1)	0.20 (5.1)	3/4	9×1.8	4500 (310)
3/8" SAE (9/16-18)	3/8" NPT(F)	SS-PA-FNT6-SAE6	1.26 (32.0)	0.39 (9.9)	0.28 (7.1)	15/16	12×2	4500 (310)
1/2" SAE (3/4-16)	1/2" NPT(F)	SS-PA-FNT8-SAE8	1.49 (38.0)	0.44 (11.2)	0.42 (10.7)	1 1/16	16.4×2.2	4500 (310)
3/4" SAE (1 1/16-12)	3/4" NPT(F)	SS-PA-FNT12-SAE12	1.57 (40.0)	0.59 (15.0)	0.66 (16.7)	1 3/8	23.5×3	3600 (248)
1" SAE (1 5/16-12)	1" NPT(F)	SS-PA-FNT16-SAE16	1.97 (50.0)	0.59 (15.0)	0.88 (22.4)	1 5/8	30×3	2900 (199)



ISO Parallel Thread (G) to NPT Thread

ISO Pipe Size	NPT Pipe Size	Model Number	A in. (mm)	D in. (mm)	E in. (mm)	F in.	Preset Pressure psi (bar)
G 1/8"	1/8" NPT	SS-PA-FGS2-NT2	0.86 (22.0)	0.47 (12.0)	0.19 (4.8)	9/16	5700 (392)
G 1/4"	1/4" NPT	SS-PA-FGS4-NT4	1.19 (30.2)	0.55 (14.0)	0.22 (5.6)	3/4	5700 (392)
G 3/8"	3/8" NPT	SS-PA-FGS6-NT6	1.27 (32.2)	0.55 (14.0)	0.26 (6.6)	15/16	5700 (392)
G 1/2"	1/2" NPT	SS-PA-FGS8-NT8	1.49 (38.0)	0.75 (19.0)	0.28 (7.1)	1 1/16	3900 (268)
G 3/4"	3/4" NPT	SS-PA-FGS12-NT12	1.57 (40.0)	0.75 (19.0)	0.62 (15.7)	1 5/16	3900 (268)
G 1"	1" NPT	SS-PA-FGS16-NT16	1.97 (50.0)	0.98 (25.0)	0.88 (22.4)	1 5/8	3900 (268)

PRA Series Reducing Adapter



FNPT to NPT Thread

NPT Pipe Size	NPT Pipe Size	Model Number	A in. (mm)	E in. (mm)	F in.	Preset Pressure psi (bar)
1/4" NPT(F)	1/8" NPT	SS-PRA-FNT4-NT2	1.26 (32.0)	0.19 (4.8)	3/4	6500 (447)
3/8" NPT(F)	1/8" NPT	SS-PRA-FNT6-NT2	1.33 (33.8)	0.19 (4.8)	7/8	6600 (454)
3/8" NPT(F)	1/4" NPT	SS-PRA-FNT6-NT4	1.50 (38.1)	0.28 (7.1)	7/8	5300 (365)
1/2" NPT(F)	1/8" NPT	SS-PRA-FNT8-NT2	1.58 (40.1)	0.19 (4.8)	1 1/16	5300 (365)
1/2" NPT(F)	1/4" NPT	SS-PRA-FNT8-NT4	1.76 (44.7)	0.28 (7.1)	1 1/16	4900 (337)
1/2" NPT(F)	3/8" NPT	SS-PRA-FNT8-NT6	1.75 (44.4)	0.38 (9.6)	1 1/16	4900 (337)
3/4" NPT(F)	1/4" NPT	SS-PRA-FNT12-NT4	1.85 (47.0)	0.28 (7.1)	1 5/16	4900 (337)
3/4" NPT(F)	3/8" NPT	SS-PRA-FNT12-NT6	1.82 (46.2)	0.38 (9.6)	1 5/16	4600 (316)
3/4" NPT(F)	1/2" NPT	SS-PRA-FNT12-NT8	2.02 (51.3)	0.47 (11.9)	1 5/16	4600 (316)
1" NPT(F)	1/4" NPT	SS-PRA-FNT16-NT4	1.96 (49.8)	0.28 (7.1)	1 5/8	4600 (316)
1" NPT(F)	3/8" NPT	SS-PRA-FNT16-NT6	1.97 (50.0)	0.38 (9.6)	1 5/8	4400 (303)
1" NPT(F)	1/2" NPT	SS-PRA-FNT16-NT8	2.16 (54.9)	0.47 (11.9)	1 5/8	4400 (303)
1" NPT(F)	3/4" NPT	SS-PRA-FNT16-NT12	2.17 (55.1)	0.62 (15.7)	1 5/8	4400 (303)

ISO Tapered Thread (Rc) to ISO Thread (R)

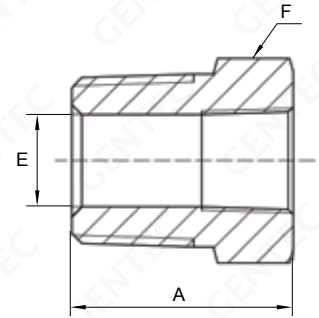
ISO Pipe Size	ISO Pipe Size	Model Number	A in. (mm)	E in. (mm)	F in.	Preset Pressure psi (bar)
Rc 1/4"	R 1/8"	SS-PRA-FRT4-RT2	1.26 (32.0)	0.19 (4.8)	3/4	6600 (454)
Rc 3/8"	R 1/4"	SS-PRA-FRT6-RT4	1.50 (38.1)	0.28 (7.1)	7/8	5300 (365)
Rc 1/2"	R 1/4"	SS-PRA-FRT8-RT4	1.76 (44.7)	0.28 (7.1)	1 1/16	4900 (337)
Rc 1/2"	R 3/8"	SS-PRA-FRT8-RT6	1.75 (44.4)	0.38 (9.6)	1 1/16	4900 (337)

PIPE FITTINGS

PRB Series

Solutions for Life

PRB Series Reducing Bushing



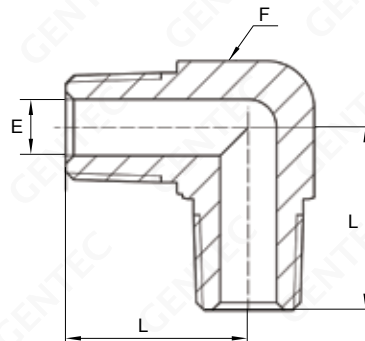
NPT to FNPT Thread

NPT Pipe Size	NPT Pipe Size	Model Number	A in. (mm)	E in. (mm)	F in.	Preset Pressure psi (bar)
1/4" NPT	1/8" NPT(F)	SS-PRB-NT4-FNT2	1.06 (26.9)	0.28 (7.1)	9/16	6500 (447)
3/8" NPT	1/8" NPT(F)	SS-PRB-NT6-FNT2	0.86 (21.8)	0.28 (7.1)	11/16	9200 (633)
3/8" NPT	1/4" NPT(F)	SS-PRB-NT6-FNT4	1.19 (30.2)	0.38 (9.6)	3/4	6600 (454)
1/2" NPT	1/8" NPT(F)	SS-PRB-NT8-FNT2	1.08 (27.4)	0.28 (7.1)	7/8	12200 (840)
1/2" NPT	1/4" NPT(F)	SS-PRB-NT8-FNT4	1.08 (27.4)	0.45 (11.4)	7/8	8300 (571)
1/2" NPT	3/8" NPT(F)	SS-PRB-NT8-FNT6	1.41 (35.8)	0.47 (11.9)	7/8	5300 (365)
3/4" NPT	1/4" NPT(F)	SS-PRB-NT12-FNT4	1.08 (27.4)	0.45 (11.4)	1 1/16	12000 (826)
3/4" NPT	3/8" NPT(F)	SS-PRB-NT12-FNT6	1.08 (27.4)	0.56 (14.3)	1 1/16	8200 (564)
3/4" NPT	1/2" NPT(F)	SS-PRB-NT12-FNT8	1.63 (41.4)	0.62 (15.7)	1 1/16	4900 (337)
1" NPT	1/4" NPT(F)	SS-PRB-NT16-FNT4	1.37 (34.8)	0.45 (11.4)	1 3/8	14500 (999)
1" NPT	3/8" NPT(F)	SS-PRB-NT16-FNT6	1.37 (34.8)	0.56 (14.3)	1 3/8	11600 (799)
1" NPT	1/2" NPT(F)	SS-PRB-NT16-FNT8	1.37 (34.8)	0.70 (18.0)	1 3/8	8600 (592)
1" NPT	3/4" NPT(F)	SS-PRB-NT16-FNT12	1.85 (47.0)	0.88 (22.4)	1 3/8	5300 (365)

ISO Tapered Thread (R) to ISO Thread (Rc)

NPT Pipe Size	ISO Pipe Size	Model Number	A in. (mm)	E in. (mm)	F in.	Preset Pressure psi (bar)
R 1/4"	Rc 1/8"	SS-PRB-RT4-FRT2	1.06 (26.9)	0.28 (7.1)	9/16	6500 (447)
R 3/8"	Rc 1/4"	SS-PRB-RT6-FRT4	1.19 (30.2)	0.38 (9.6)	3/4	6600 (454)
R 1/2"	Rc 1/4"	SS-PRB-RT8-FRT4	1.08 (27.4)	0.44 (11.2)	7/8	8300 (571)
R 1/2"	Rc 3/8"	SS-PRB-RT8-FRT6	1.41 (35.8)	0.47 (11.9)	7/8	5300 (365)

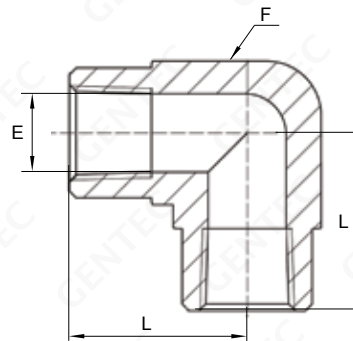
PME Series Male Elbow



NPT Thread

NPT Pipe Size	Model Number	E in. (mm)	L in. (mm)	F in.	Preset Pressure psi (bar)
1/8" NPT	SS-PME-NT2	0.19 (4.8)	0.67 (17.0)	7/16	10000 (689)
1/4" NPT	SS-PME-NT4	0.28 (7.1)	0.90 (23.0)	5/8	8000 (551)
3/8" NPT	SS-PME-NT6	0.38 (9.6)	1.02 (26.0)	13/16	7800 (537)
1/2" NPT	SS-PME-NT8	0.47 (11.9)	1.42 (36.0)	15/16	7700 (530)
3/4" NPT	SS-PME-NT12	0.62 (15.7)	1.52 (38.5)	1 3/16	7300 (502)
1" NPT	SS-PME-NT16	0.88 (22.4)	1.93 (49.0)	1 7/16	5300 (365)

PFE Series Female Elbow



FNPT Thread

FNPT Pipe Size	Model Number	E in. (mm)	L in. (mm)	F in.	Preset Pressure psi (bar)
1/8" NPT(F)	SS-PFE-FNT2	0.34 (8.6)	0.87 (22.0)	5/8	6200 (427)
1/4" NPT(F)	SS-PFE-FNT4	0.45 (11.4)	1.02 (26.0)	13/16	7200 (496)
3/8" NPT(F)	SS-PFE-FNT6	0.59 (15.0)	1.10 (28.0)	15/16	5600 (385)
1/2" NPT(F)	SS-PFE-FNT8	0.73 (18.5)	1.18 (30.0)	1 1/8	5600 (385)
3/4" NPT(F)	SS-PFE-FNT12	0.94 (23.9)	1.45 (37.0)	1 3/8	5100 (351)
1" NPT(F)	SS-PFE-FNT16	1.17 (29.7)	1.49 (38.0)	1 11/16	6400 (440)

ISO Tapered Thread (Rc)

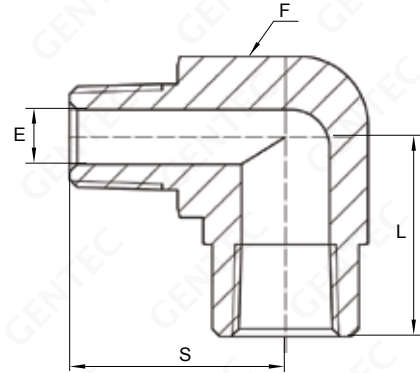
ISO Pipe Size	Model Number	E in. (mm)	L in. (mm)	F in.	Preset Pressure psi (bar)
Rc 1/4"	SS-PFE-FRT4	0.45 (11.4)	1.02 (26.0)	13/16	7200 (496)
Rc 3/8"	SS-PFE-FRT6	0.59 (15.0)	1.10 (28.0)	15/16	5600 (385)
Rc 1/2"	SS-PFE-FRT8	0.73 (18.5)	1.18 (30.0)	1 1/8	5600 (385)

PIPE FITTINGS

PSE Series, PRE Series

Solutions for Life

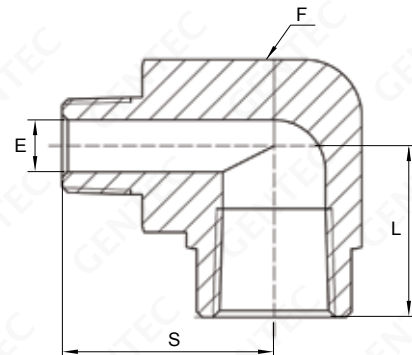
PSE Series Street Elbow



NPT to FNPT Thread

NPT Pipe Size	FNPT Pipe Size	Model Number	E in. (mm)	L in. (mm)	S in. (mm)	F in.	Preset Pressure psi (bar)
1/8" NPT	1/8" NPT(F)	SS-PSE-FNT2-NT2	0.19 (4.8)	0.87 (22.0)	0.98 (25.0)	5/8	6200 (427)
1/4" NPT	1/4" NPT(F)	SS-PSE-FNT4-NT4	0.28 (7.1)	1.02 (26.0)	1.10 (28.0)	13/16	7200 (496)
3/8" NPT	3/8" NPT(F)	SS-PSE-FNT6-NT6	0.38 (9.6)	1.10 (28.0)	1.26 (32.0)	15/16	5600 (385)
1/2" NPT	1/2" NPT(F)	SS-PSE-FNT8-NT8	0.47 (11.9)	1.18 (30.0)	1.42 (36.0)	1 1/8	5600 (385)
3/4" NPT	3/4" NPT(F)	SS-PSE-FNT12-NT12	0.62 (15.7)	1.45 (37.0)	1.81 (46.0)	1 3/8	5100 (351)
1" NPT	1" NPT(F)	SS-PSE-FNT16-NT16	0.88 (22.4)	1.91 (48.5)	1.94 (49.3)	1 11/16	5300 (365)

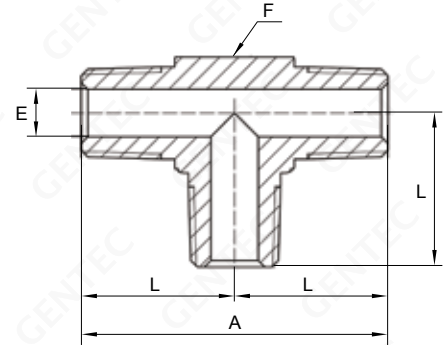
PRE Series Reducing Street Elbow



NPT to FNPT Thread

NPT Pipe Size	FNPT Pipe Size	Model Number	E in. (mm)	L in. (mm)	S in. (mm)	F in.	Preset Pressure psi (bar)
1/8" NPT	1/4" NPT(F)	SS-PRE-NT2-FNT4	0.19 (4.8)	0.98 (25.0)	1.10 (28.0)	13/16	7200 (496)
1/4" NPT	3/8" NPT(F)	SS-PRE-NT4-FNT6	0.28 (7.1)	1.10 (28.0)	1.30 (33.0)	15/16	5600 (385)
1/4" NPT	1/2" NPT(F)	SS-PRE-NT4-FNT8	0.28 (7.1)	1.18 (30.0)	1.38 (35.0)	1 1/8	5600 (385)
3/8" NPT	1/2" NPT(F)	SS-PRE-NT6-FNT8	0.36 (9.1)	1.18 (30.0)	1.45 (37.0)	1 1/8	5600 (385)
1/2" NPT	1/4" NPT(F)	SS-PRE-NT8-FNT4	0.47 (11.9)	1.10 (28.0)	1.30 (33.0)	15/16	5600 (385)
1/2" NPT	3/8" NPT(F)	SS-PRE-NT8-FNT6	0.47 (11.9)	1.10 (28.0)	1.30 (33.0)	15/16	5600 (385)
3/4" NPT	1/4" NPT(F)	SS-PRE-NT12-FNT4	0.62 (15.7)	1.18 (30.0)	1.42 (36.0)	1 1/8	5100 (351)
3/4" NPT	3/8" NPT(F)	SS-PRE-NT12-FNT6	0.62 (15.7)	1.18 (30.0)	1.42 (36.0)	1 1/8	5100 (351)
3/4" NPT	1/2" NPT(F)	SS-PRE-NT12-FNT8	0.62 (15.7)	1.18 (30.0)	1.42 (36.0)	1 1/8	5100 (351)
1" NPT	1/4" NPT(F)	SS-PRE-NT16-FNT4	0.88 (22.4)	1.45 (37.0)	1.81 (46.0)	1 3/8	5300 (365)
1" NPT	3/8" NPT(F)	SS-PRE-NT16-FNT6	0.88 (22.4)	1.45 (37.0)	1.81 (46.0)	1 3/8	5300 (365)
1" NPT	1/2" NPT(F)	SS-PRE-NT16-FNT8	0.88 (22.4)	1.45 (37.0)	1.81 (46.0)	1 3/8	5300 (365)
1" NPT	3/4" NPT(F)	SS-PRE-NT16-FNT12	0.88 (22.4)	1.45 (37.0)	1.81 (46.0)	1 3/8	5300 (365)

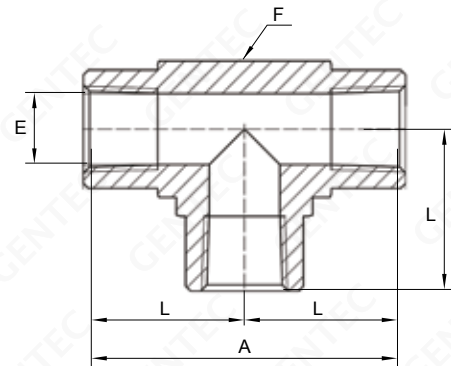
PMT Series Male Tee



NPT Thread

NPT Pipe Size	Model Number	A in. (mm)	E in. (mm)	L in. (mm)	F in.	Preset Pressure psi (bar)
1/8" NPT	SS-PMT-NT2	1.42 (36.0)	0.19 (4.8)	0.71 (18.0)	7/16	10000 (689)
1/4" NPT	SS-PMT-NT4	1.81 (46.0)	0.28 (7.1)	0.91 (23.0)	5/8	8000 (551)
3/8" NPT	SS-PMT-NT6	2.05 (52.0)	0.38 (9.6)	1.02 (26.0)	13/16	7800 (537)
1/2" NPT	SS-PMT-NT8	2.83 (72.0)	0.47 (11.9)	1.42 (36.0)	15/16	7700 (530)
3/4" NPT	SS-PMT-NT12	3.03 (77.0)	0.62 (15.7)	1.52 (38.5)	1 3/16	7300 (502)
1" NPT	SS-PMT-NT16	3.86 (98.0)	0.88 (22.4)	1.93 (49.0)	1 7/16	5300 (365)

PFT Series Female Tee



FNPT Thread

FNPT Pipe Size	Model Number	A in. (mm)	E in. (mm)	L in. (mm)	F in.	Preset Pressure psi (bar)
1/8" NPT(F)	SS-PFT-FNT2	1.81 (46.0)	0.34 (8.6)	0.91 (23.0)	5/8	6200 (427)
1/4" NPT(F)	SS-PFT-FNT4	2.05 (52.0)	0.45 (11.4)	1.02 (26.0)	13/16	7200 (496)
3/8" NPT(F)	SS-PFT-FNT6	2.28 (58.0)	0.59 (15.0)	1.14 (29.0)	15/16	5600 (385)
1/2" NPT(F)	SS-PFT-FNT8	2.36 (60.0)	0.73 (18.5)	1.18 (30.0)	1 1/8	5600 (385)
3/4" NPT(F)	SS-PFT-FNT12	2.91 (74.0)	0.94 (23.9)	1.45 (37.0)	1 3/8	5100 (351)
1" NPT(F)	SS-PFT-FNT16	3.23 (82.0)	1.17 (29.7)	1.61 (41.0)	1 11/16	6400 (440)

ISO Tapered Thread (Rc)

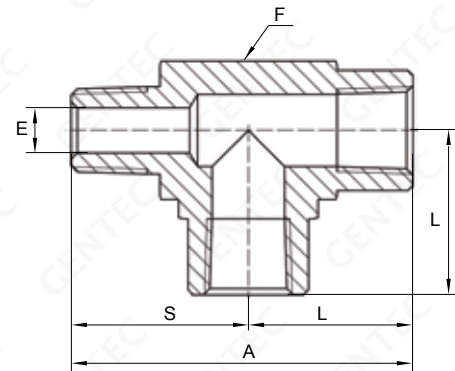
ISO Pipe Size	Model Number	A in. (mm)	E in. (mm)	L in. (mm)	F in.	Preset Pressure psi (bar)
Rc 1/4"	SS-PFT-FRT4	2.05 (52.0)	0.45 (11.4)	1.02 (26.0)	13/16	7200 (496)
Rc 3/8"	SS-PFT-FRT6	2.28 (58.0)	0.59 (15.0)	1.14 (29.0)	15/16	5600 (385)
Rc 1/2"	SS-PFT-FRT8	2.36 (60.0)	0.73 (18.5)	1.18 (30.0)	1 1/8	5600 (385)

PIPE FITTINGS

PST Series, PBT Series

Solutions for Life

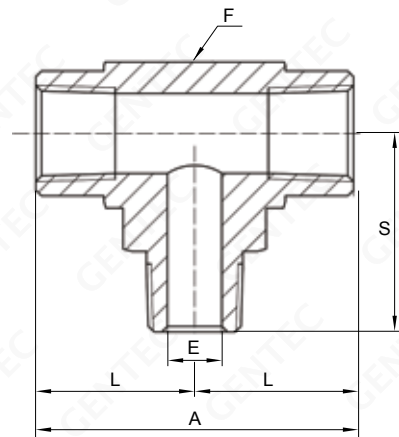
PST Series Street Tee



NPT to FNPT Thread

NPT Pipe Size	FNPT Pipe Size	Model Number	A in. (mm)	E in. (mm)	L in. (mm)	S in. (mm)	F in.	Preset Pressure psi (bar)
1/8" NPT	1/8" NPT(F)	SS-PST-NT2-FNT2	1.81 (46.0)	0.19 (4.8)	0.91 (23.0)	0.98 (25.0)	5/8	6200 (427)
1/4" NPT	1/4" NPT(F)	SS-PST-NT4-FNT4	2.05 (52.0)	0.28 (7.1)	1.02 (26.0)	1.10 (28.0)	13/16	7200 (496)
3/8" NPT	3/8" NPT(F)	SS-PST-NT6-FNT6	2.20 (56.0)	0.38 (9.6)	1.10 (28.0)	1.38 (35.0)	15/16	5600 (385)
1/2" NPT	1/2" NPT(F)	SS-PST-NT8-FNT8	2.36 (60.0)	0.47 (11.9)	1.18 (30.0)	1.46 (37.0)	1 1/8	5600 (385)

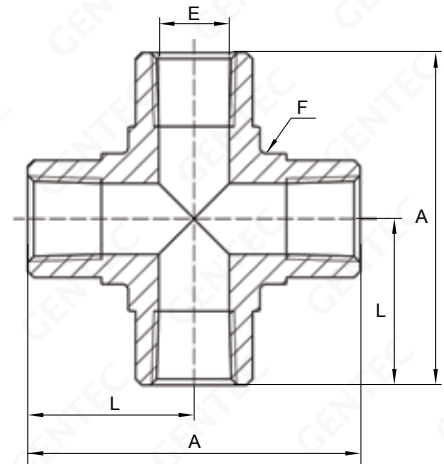
PBT Series Branch Tee



FNPT to NPT Thread

FNPT Pipe Size	NPT Pipe Size	Model Number	A in. (mm)	E in. (mm)	L in. (mm)	S in. (mm)	F in.	Preset Pressure psi (bar)
1/8" NPT(F)	1/8" NPT	SS-PBT-FNT2-NT2	1.85 (47.0)	0.19 (4.8)	0.87 (22.0)	0.98 (25.0)	5/8	6200 (427)
1/4" NPT(F)	1/4" NPT	SS-PBT-FNT4-NT4	2.13 (54.0)	0.28 (7.1)	1.02 (26.0)	1.10 (28.0)	13/16	7200 (496)
3/8" NPT(F)	3/8" NPT	SS-PBT-FNT6-NT6	2.40 (61.0)	0.38 (9.6)	1.14 (29.0)	1.26 (32.0)	15/16	5600 (385)
1/2" NPT(F)	1/2" NPT	SS-PBT-FNT8-NT8	2.64 (67.0)	0.47 (11.9)	1.18 (30.0)	1.46 (37.0)	1 1/8	5600 (385)

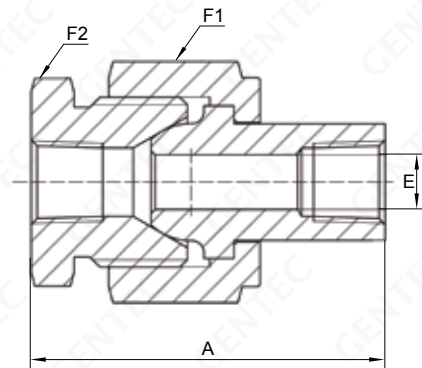
PFX Series Cross



FNPT Thread

NPT Pipe Size	Model Number	A in. (mm)	E in. (mm)	L in. (mm)	F in.	Preset Pressure psi (bar)
1/8" NPT(F)	SS-PFX-FNT2	1.97 (50.0)	0.34 (8.6)	0.98 (25.0)	5/8	6200 (427)
1/4" NPT(F)	SS-PFX-FNT4	2.13 (54.0)	0.45 (11.4)	1.06 (27.0)	13/16	7200 (496)
3/8" NPT(F)	SS-PFX-FNT6	2.28 (58.0)	0.59 (15.0)	1.14 (29.0)	15/16	5600 (385)
1/2" NPT(F)	SS-PFX-FNT8	2.36 (60.0)	0.73 (18.5)	1.18 (30.0)	1 1/8	5600 (385)
3/4" NPT(F)	SS-PFX-FNT12	2.91 (74.0)	0.94 (23.9)	1.45 (37.0)	1 3/8	5100 (351)
1" NPT(F)	SS-PFX-FNT16	3.23 (82.0)	1.17 (29.7)	1.61 (41.0)	1 11/16	6400 (440)

PFU Series Union



FNPT Thread

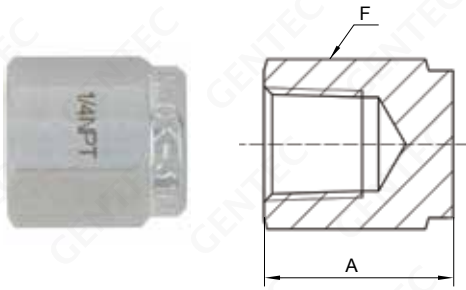
FNPT Pipe Size	Model Number	A in. (mm)	E in. (mm)	F1 in.	F2 in.	Preset Pressure psi (bar)
1/8" NPT(F)	SS-PFU-FNT2	1.81 (46.0)	0.27 (6.8)	1 1/8	15/16	8400 (578)
1/4" NPT(F)	SS-PFU-FNT4	2.34 (59.4)	0.36 (9.1)	1 3/8	1 3/16	6600 (454)
3/8" NPT(F)	SS-PFU-FNT6	2.50 (63.5)	0.52 (13.2)	1 1/2	1 5/16	5300 (365)
1/2" NPT(F)	SS-PFU-FNT8	2.69 (68.3)	0.62 (15.7)	1 3/4	1 5/8	6000 (413)
3/4" NPT(F)	SS-PFU-FNT12	3.12 (79.2)	0.88 (22.4)	2 1/8	1 7/8	4600 (316)
1" NPT(F)	SS-PFU-FNT16	3.56 (90.4)	1.03 (26.2)	2 1/2	2 3/8	6800 (468)

PIPE FITTINGS

PCP Series, PHP Series, PHHP Series

Solutions for Life

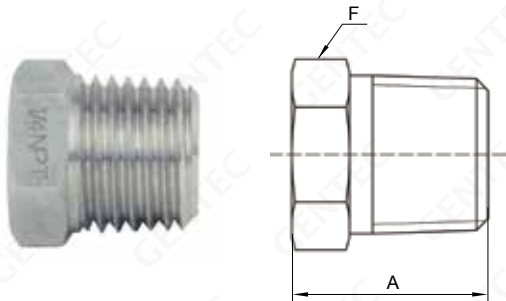
PCP Series Plug



FNPT Thread

FNPT Pipe Size	Model Number	A in. (mm)	F in.
1/8" NPT(F)	SS-PCP-FNT2	0.75 (19.1)	9/16
1/4" NPT(F)	SS-PCP-FNT4	0.91 (23.1)	3/4
3/8" NPT(F)	SS-PCP-FNT6	1.03 (26.2)	7/8
1/2" NPT(F)	SS-PCP-FNT8	1.34 (34.0)	1 1/16
3/4" NPT(F)	SS-PCP-FNT12	1.44 (36.6)	1 5/16
1" NPT(F)	SS-PCP-FNT16	1.62 (41.1)	1 5/8

PHP Series Head Plug



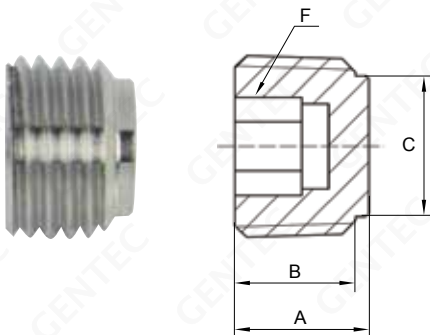
NPT Thread

NPT Pipe Size	Model Number	A in. (mm)	F in.
1/8" NPT	SS-PHP-NT2	0.55 (14.0)	7/16
1/4" NPT	SS-PHP-NT4	0.69 (17.5)	9/16
3/8" NPT	SS-PHP-NT6	0.71 (18.0)	11/16
1/2" NPT	SS-PHP-NT8	0.91 (23.0)	7/8
3/4" NPT	SS-PHP-NT12	0.91 (23.0)	1 1/16
1" NPT	SS-PHP-NT16	1.10 (28.0)	1 3/8

ISO Tapered Thread (R)

BSPT Pipe Size	Model Number	A in. (mm)	F in.
R 1/8"	SS-PHP-RT2	0.55 (14.0)	7/16
R 1/4"	SS-PHP-RT4	0.69 (17.5)	9/16
R 3/8"	SS-PHP-RT6	0.71 (18.0)	11/16
R 1/2"	SS-PHP-RT8	0.91 (23.0)	7/8
R 3/4"	SS-PHP-RT12	0.91 (23.0)	1 1/16
R 1"	SS-PHP-RT16	1.10 (28.0)	1 3/8

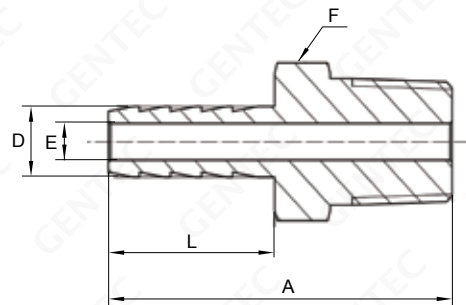
PHHP Series Hex Head Plug



NPT Thread

NPT Pipe Size	Model Number	A in. (mm)	B in. (mm)	C in. (mm)	F in.
1/8" NPT	SS-PHHP-NT2	0.28 (7.0)	0.24 (6.0)	0.31 (8.0)	3/16
1/4" NPT	SS-PHHP-NT4	0.39 (10.0)	0.35 (9.0)	0.39 (10.0)	1/4
3/8" NPT	SS-PHHP-NT6	0.43 (11.0)	0.37 (9.5)	0.51 (13.0)	5/16
1/2" NPT	SS-PHHP-NT8	0.59 (15.0)	0.53 (13.5)	0.63 (16.0)	3/8

PMHC Series Male Hose Connector



Hose Connector to NPT Thread

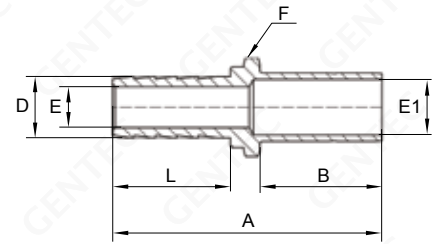
HOSE I.D.	NPT Pipe Size	Model Number	A in. (mm)	D in. (mm)	E in. (mm)	F in.	L in. (mm)
1/8"	1/8" NPT	SS-PMHC-HD2-NT2	1.02 (26.0)	0.15 (3.8)	0.08 (2.0)	7/16	0.39 (10.0)
1/8"	1/4" NPT	SS-PMHC-HD2-NT4	1.14 (29.0)	0.15 (3.8)	0.08 (2.0)	9/16	0.39 (10.0)
3/16"	1/8" NPT	SS-PMHC-HD3-NT2	1.22 (31.0)	0.23 (5.8)	0.12 (3.0)	7/16	0.59 (15.0)
3/16"	1/4" NPT	SS-PMHC-HD3-NT4	1.34 (34.0)	0.23 (5.8)	0.12 (3.0)	9/16	0.59 (15.0)
3/16"	3/8" NPT	SS-PMHC-HD3-NT6	1.34 (34.0)	0.23 (5.8)	0.12 (3.0)	11/16	0.59 (15.0)
1/4"	1/8" NPT	SS-PMHC-HD4-NT2	1.42 (36.0)	0.30 (7.6)	0.19 (4.8)	7/16	0.79 (20.0)
1/4"	1/4" NPT	SS-PMHC-HD4-NT4	1.54 (39.0)	0.30 (7.6)	0.19 (4.8)	9/16	0.79 (20.0)
1/4"	3/8" NPT	SS-PMHC-HD4-NT6	1.54 (39.0)	0.30 (7.6)	0.19 (4.8)	11/16	0.79 (20.0)
1/4"	1/2" NPT	SS-PMHC-HD4-NT8	1.81 (46.0)	0.30 (7.6)	0.19 (4.8)	7/8	0.79 (20.0)
5/16"	1/8" NPT	SS-PMHC-HD5-NT2	1.50 (38.0)	0.38 (9.6)	0.19 (4.8)	7/16	0.87 (22.0)
5/16"	1/4" NPT	SS-PMHC-HD5-NT4	1.61 (41.0)	0.38 (9.6)	0.19 (4.8)	9/16	0.87 (22.0)
5/16"	3/8" NPT	SS-PMHC-HD5-NT6	1.61 (41.0)	0.38 (9.6)	0.19 (4.8)	11/16	0.87 (22.0)
5/16"	1/2" NPT	SS-PMHC-HD5-NT8	1.89 (48.0)	0.38 (9.6)	0.19 (4.8)	7/8	0.87 (22.0)
3/8"	1/4" NPT	SS-PMHC-HD6-NT4	1.61 (41.0)	0.45 (11.4)	0.30 (7.6)	9/16	0.87 (22.0)
3/8"	3/8" NPT	SS-PMHC-HD6-NT6	1.61 (41.0)	0.45 (11.4)	0.30 (7.6)	11/16	0.87 (22.0)
3/8"	1/2" NPT	SS-PMHC-HD6-NT8	1.89 (48.0)	0.45 (11.4)	0.30 (7.6)	7/8	0.87 (22.0)
1/2"	1/4" NPT	SS-PMHC-HD8-NT4	1.69 (43.0)	0.60 (15.2)	0.38 (9.6)	11/16	0.94 (24.0)
1/2"	3/8" NPT	SS-PMHC-HD8-NT6	1.69 (43.0)	0.60 (15.2)	0.38 (9.6)	11/16	0.94 (24.0)
1/2"	1/2" NPT	SS-PMHC-HD8-NT8	1.97 (50.0)	0.60 (15.2)	0.38 (9.6)	7/8	0.94 (24.0)
5/8"	3/8" NPT	SS-PMHC-HD10-NT6	1.81 (46.0)	0.75 (19.0)	0.50 (12.7)	13/16	0.98 (25.0)
5/8"	1/2" NPT	SS-PMHC-HD10-NT8	2.00 (51.0)	0.75 (19.0)	0.50 (12.7)	7/8	0.98 (25.0)
5/8"	3/4" NPT	SS-PMHC-HD10-NT12	2.07 (52.5)	0.75 (19.0)	0.50 (12.7)	1 1/16	0.98 (25.0)
3/4"	1/2" NPT	SS-PMHC-HD12-NT8	2.13 (54.0)	0.90 (22.8)	0.63 (16.0)	15/16	1.06 (27.0)
3/4"	3/4" NPT	SS-PMHC-HD12-NT12	2.13 (54.0)	0.90 (22.8)	0.63 (16.0)	1 1/16	1.06 (27.0)
3/4"	1" NPT	SS-PMHC-HD12-NT16	2.40 (61.0)	0.90 (22.8)	0.63 (16.0)	1 3/8	1.06 (27.0)
1"	3/4" NPT	SS-PMHC-HD16-NT12	2.29 (58.2)	1.20 (30.5)	0.88 (22.4)	1 1/4	1.19 (30.2)
1"	1" NPT	SS-PMHC-HD16-NT16	2.53 (64.2)	1.20 (30.5)	0.88 (22.4)	1 3/8	1.19 (30.2)

PIPE FITTINGS

PTHC Series, PFHC Series

Solutions for Life

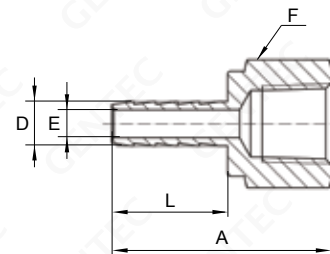
PTHC Series Tube Hose Connector



Hose Connector to GENLOK

HOSE I.D.	GENLOK O.D.	Model Number	A in. (mm)	B in. (mm)	D in. (mm)	E in. (mm)	E1 in. (mm)	F in.	L in. (mm)
1/8"	1/8"	SS-PTHC-HD2-OD2	1.14 (29.0)	0.53 (13.5)	0.15 (3.8)	0.08 (2.0)	0.09 (2.4)	8	0.39 (10.0)
1/8"	1/4"	SS-PTHC-HD2-OD4	1.26 (32.0)	0.65 (16.5)	0.15 (3.8)	0.08 (2.0)	0.18 (4.7)	9.5	0.39 (10.0)
1/4"	1/4"	SS-PTHC-HD4-OD4	1.65 (42.0)	0.65 (16.5)	0.30 (7.6)	0.18 (4.7)	0.18 (4.7)	7/16	0.79 (20.0)
1/4"	3/8"	SS-PTHC-HD4-OD6	1.69 (42.8)	0.68 (17.3)	0.30 (7.6)	0.18 (4.8)	0.28 (7.1)	7/16	0.79 (20.0)
1/4"	6 mm	SS-PTHC-HD4-OD6M	1.62 (41.2)	0.62 (15.7)	0.30 (7.6)	0.18 (4.7)	0.18 (4.7)	7/16	0.79 (20.0)
5/16"	1/4"	SS-PTHC-HD5-OD4	1.73 (44.0)	0.65 (16.5)	0.38 (9.6)	0.18 (4.7)	0.18 (4.7)	7/16	0.87 (22.0)
5/16"	3/8"	SS-PTHC-HD5-OD6	1.76 (44.8)	0.68 (17.3)	0.38 (9.6)	0.18 (4.7)	0.28 (7.1)	7/16	0.87 (22.0)
3/8"	1/4"	SS-PTHC-HD6-OD4	1.73 (44.0)	0.65 (16.5)	0.45 (11.4)	0.30 (7.6)	0.18 (4.7)	9/16	0.87 (22.0)
3/8"	3/8"	SS-PTHC-HD6-OD6	1.76 (44.8)	0.68 (17.3)	0.45 (11.4)	0.28 (7.1)	0.28 (7.1)	9/16	0.87 (22.0)
3/8"	1/2"	SS-PTHC-HD6-OD8	1.98 (50.3)	0.90 (22.8)	0.45 (11.4)	0.30 (7.6)	0.41 (10.3)	5/8	0.87 (22.0)
1/2"	3/8"	SS-PTHC-HD8-OD6	1.84 (46.8)	0.68 (17.3)	0.60 (15.2)	0.38 (9.6)	0.28 (7.1)	11/16	0.94 (24.0)
1/2"	1/2"	SS-PTHC-HD8-OD8	2.06 (52.3)	0.90 (22.8)	0.60 (15.2)	0.40 (10.3)	0.40 (10.3)	11/16	0.94 (24.0)
3/4"	3/4"	SS-PTHC-HD12-OD12	2.38 (60.5)	0.96 (24.5)	0.90 (22.8)	0.59 (15.1)	0.59 (15.1)	1 3/16	1.06 (27.0)
1"	3/4"	SS-PTHC-HD16-OD16	2.80 (71.0)	1.25 (31.7)	1.20 (30.5)	0.83 (21.2)	0.83 (21.2)	1 3/8	1.19 (30.2)

PFHC Series Female Hose Connector



Hose Connector to FNPT Thread

HOSE I.D.	FNPT Pipe Size	Model Number	A in. (mm)	D in. (mm)	E in. (mm)	F in.	L in. (mm)
1/8"	1/8" NPT(F)	SS-PFHC-HD2-FNT2	0.98 (25.0)	0.15 (3.8)	0.08 (2.0)	9/16	0.39 (10.0)
1/8"	1/4" NPT(F)	SS-PFHC-HD2-FNT4	1.18 (30.0)	0.15 (3.8)	0.08 (2.0)	3/4	0.39 (10.0)
3/16"	1/8" NPT(F)	SS-PFHC-HD3-FNT2	1.14 (29.0)	0.23 (5.8)	0.12 (3.0)	9/16	0.59 (15.0)
3/16"	1/4" NPT(F)	SS-PFHC-HD3-FNT4	1.30 (33.0)	0.23 (5.8)	0.12 (3.0)	3/4	0.59 (15.0)
1/4"	1/8" NPT(F)	SS-PFHC-HD4-FNT2	1.34 (34.0)	0.30 (7.6)	0.19 (4.8)	9/16	0.79 (20.0)
1/4"	1/4" NPT(F)	SS-PFHC-HD4-FNT4	1.50 (38.0)	0.30 (7.6)	0.19 (4.8)	3/4	0.79 (20.0)
1/4"	3/8" NPT(F)	SS-PFHC-HD4-FNT6	1.50 (38.0)	0.30 (7.6)	0.19 (4.8)	7/8	0.79 (20.0)
5/16"	1/4" NPT(F)	SS-PFHC-HD5-FNT4	1.57 (40.0)	0.38 (9.6)	0.19 (4.8)	3/4	0.87 (22.0)
5/16"	3/8" NPT(F)	SS-PFHC-HD5-FNT6	1.57 (40.0)	0.38 (9.6)	0.19 (4.8)	7/8	0.87 (22.0)
3/8"	1/4" NPT(F)	SS-PFHC-HD6-FNT4	1.57 (40.0)	0.45 (11.4)	0.30 (7.6)	3/4	0.87 (22.0)
3/8"	3/8" NPT(F)	SS-PFHC-HD6-FNT6	1.57 (40.0)	0.45 (11.4)	0.30 (7.6)	7/8	0.87 (22.0)
3/8"	1/2" NPT(F)	SS-PFHC-HD6-FNT8	1.85 (47.0)	0.45 (11.4)	0.30 (7.6)	1 1/16	0.87 (22.0)
1/2"	1/2" NPT(F)	SS-PFHC-HD8-FNT8	1.93 (49.0)	0.60 (15.2)	0.38 (9.6)	1 1/16	0.94 (24.0)



Gas Control Systems Solutions Overview

- Manifold Systems
- Control Panels
- HP/UHP Regulators
- Pressure Gauges
- Valves & Fittings



Specialty Manifold Systems

- Chrome-plated Brass Specialty Gas Control Panels
- Stainless Steel Specialty Gas Control Panels
- Specialty Gas Manifolds
- Terminal Gas Control Panel
- Other Control Systems
- Accessories



Specialty Gas Regulators & Gauges

- General Purpose Forged Brass Regulators
- High Purity Brass Barstock Regulators
- High Purity Stainless Steel Barstock Regulators
- Accessories



Valves

- Needle Valves
- Ball Valves
- Diaphragm Valves
- Cylinder Valves
- Metering Valves
- Gauge Valves
- Check Valves



Ultra High Purity

- UHP Regulators
- UHP Diaphragm valves
- UHP Gauges
- UHP Fittings
- Vacuum Generators



Cryogenic Gas Equipment

- Cryogenic Relief Valves
- Cryogenic Shut-Off Valves
- Regulators
- Check Valves & Burst-Disc
- LNG Nozzle/Quick Disconnect, Receptacle
- Excess Flow Valves
- Pressure Gauges

Please contact us for any questions about catalogs.

- Requesting Catalogs
- Register an account to view / download pdf catalogs. (Online Register)

To view our full line of Specialty Gas Products please visit us online at www.gentec.com



GENSTAR TECHNOLOGIES COMPANY INC.

4525 Edison Ave, Chino, CA 91710

Tel: 909.606.6726

Fax: 909.606.6485

www.gentec.com

